

EPRB-2 Pressure Transducer



- Small Size with Amplified Output
- Any liquid or gas Media compatible Stainless Steel
- Operating Temperature up to 150°C (300°F)
- Variety of Pressure Ports
- Available as Gage, Sealed Gage and Absolute
- CE Approved

DESCRIPTION

Miniature Pressure Transducer, 100% Stainless Steel welded construction with amplified output, designed for severe environment where minimum size and weight are required.

FEATURES

- Liquid and Gas Media compatible with SS
- Ranges from 0.35 to 350 bar (5 to 5,000 PSI)
- Operating Temperature up to 150°C (300°F)
- Combined NL & H \pm 0.25%

APPLICATIONS

- Motorsports
- Downhole Exploration
- Off-Road Vehicles
- Pipeline Pressures

STANDARD RANGES

Pressure ranges		Pressure Reference			Pressure limit	Pressure limit	Pressure limit
(BAR)	(PSI)	gage (type1)	sealed (type2)	abs. (type3)	Model : N & V	Model : S & Q	Model : P, X, Z, W, Y
0.35	5	•	•	•	3 x FS	3 x FS	3 x FS
0.6	10	•	•	•	3 x FS	3 x FS	3 x FS
1	15	•	•	•	3 x FS	3 x FS	3 x FS
2	30	•	•	•	3 x FS	3 x FS	3 x FS
3.5	50	•	•	•	2 x FS	2 x FS	2 x FS
6	100	•	•	•	2 x FS	2 x FS	2 x FS
10	150	•	•	•	2 x FS	2 x FS	2 x FS
20	300	•	•	•	2 x FS	2 x FS	2 x FS
35	500	•	•	•	2 x FS	2 x FS	2 x FS
60	1K		•	•	2 x FS	2 x FS	2 x FS
100	1.5K		•	•	2 x FS	2 x FS	2 x FS
200	3K		•	•	1 x FS	1.5 x FS	2 x FS
350	5K		•	•	Not available	1 x FS	1.2 x FS

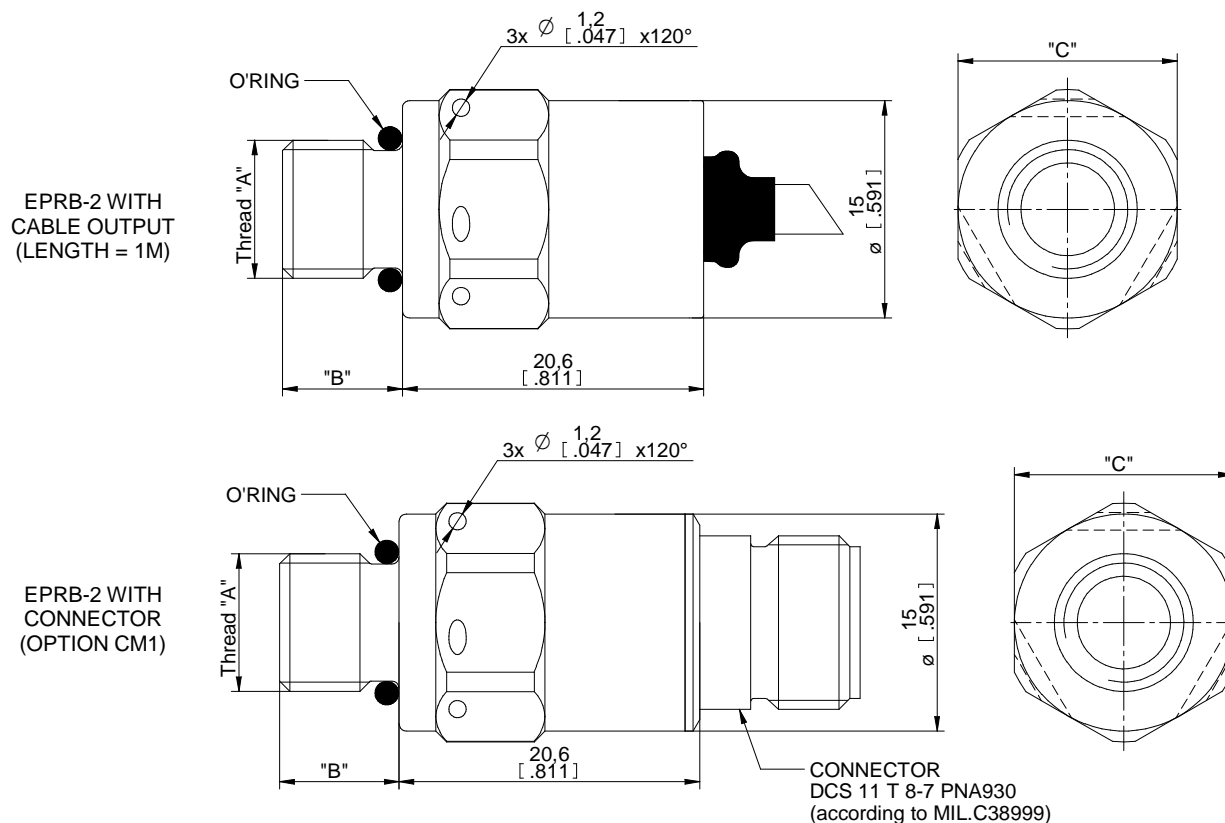
EPRB-2 Pressure Transducer

Gage model (type 1) is vented to atmosphere through the cable (do not seal the end of cable and keep it in a dry area)

PERFORMANCE SPECIFICATIONS

PARAMETERS	VALUES	NOTES
Supply Voltage	Version U: 8 to 32VDC ; Version R: 5 VDC reg.	
Max Current	< 10 mA	
Output Resistance	Type3: 200Ω ; Type 6: 400Ω ; Type 8: 1KΩ	
Non-Repeatability	±0.05% FSO typ.	
CNL & H	± 0.25% FSO	
Thermal Zero Shift "TZS"	± 1% /100 °C	
Thermal Sensitivity Shift "TSS"	± 1% /100 °C	
Operating Temperature	- 40°C to 150°C	
Compensated Temperature	0°C to 100°C	See option table for other Temperature
Output "FSO"	Type 3: 0.5 to 4.5V = 4V ± 50mV Type 6: 0 to 5V = 5V ± 50mV Type 8: 0.1 to 5V = 4.9V ± 50mV	Type 3 available on version R and U Type 6 available on version U only Type 8 available on version U only
Zero Offset at 23°C	Type 3 = 0.5V ± 50mV Type 6 = ± 50mV Type 8 = 100mV ± 50mV	
CE conformance according to	EN 61010-1, EN 50081-1, EN 50082-1	

DIMENSIONS



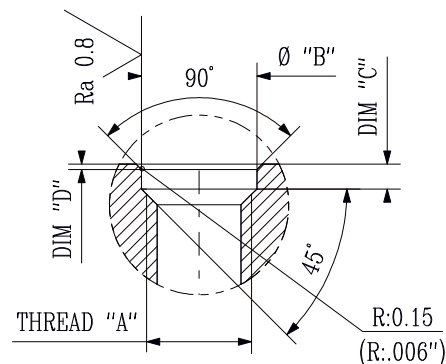
EPRB-2 Pressure Transducer

PHYSICAL					
MODEL	THREAD "A"	THREAD LENGTH "B"	DIM. "C"	O-RING SUPPLIED	INSTALLATION TORQUE (MAX.)
N	M5X0.8	8.2 (.323")	15 mm (.590")	Ø3.5x1.5 VITON	1 Nm (9 In-Pounds)
V	10-32 UNF-2A	8.2 (.323")	15 mm (.590")	Ø3.5x1.5 VITON	1 Nm (9 In-Pounds)
S	M8X1	8.2 (.323")	15 mm (.590")	Ø6.35x1.6 VITON	2.5 Nm (22 In-Pounds)
Q	5/16"-24 UNF-2A	8.2 (.323")	15 mm (.590")	Ø6.35x1.6 VITON	2.5 Nm (22 In-Pounds)
P	M10X1	8.2 (.323")	15 mm (.590")	Ø7.65x1.63 VITON	3 Nm (27 In-Pounds)
X	3/8"-24 UNF-2A	8.2 (.323")	15 mm (.590")	Ø7.65x1.63 VITON	3 Nm (27 In-Pounds)
Z	7/16"-20 UNF-2A	8.2 (.323")	18 mm (.71")	Ø8.92x1.83 VITON	5 Nm (44 In-Pounds)
W	G 1/4A (BSP)	11.7 (.460")	18 mm (.71")	Not Supplied	5 Nm (44 In-Pounds)
Y	¼"-18 NPT	14 (.551")	18 mm (.71")	Not Supplied	5 Nm (44 In-Pounds)

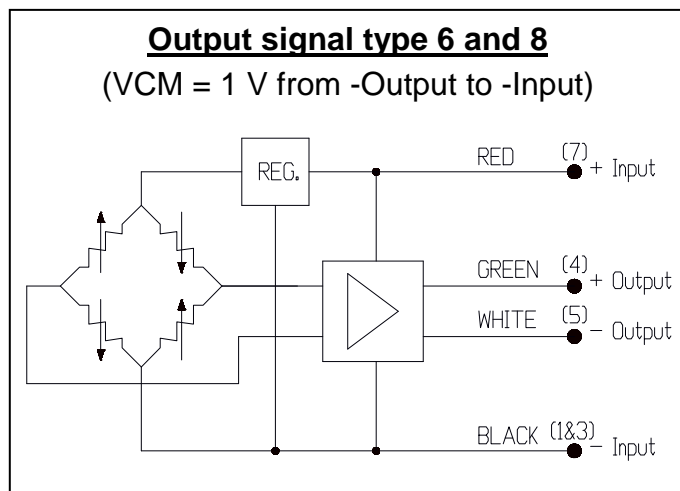
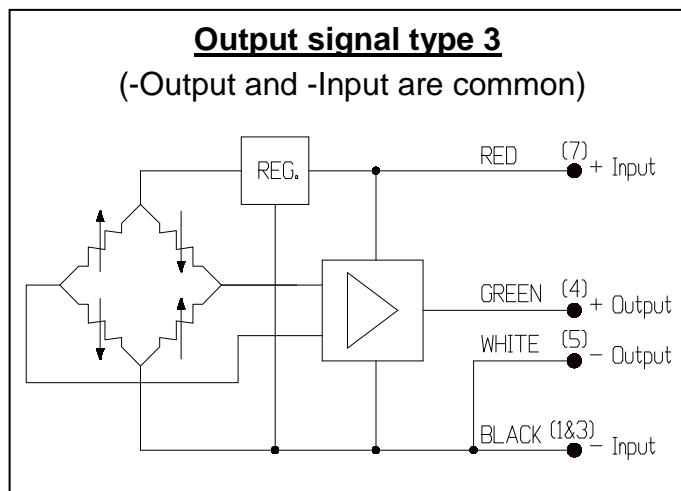
INSTALLATION & CONNECTION

RECOMMENDED MOUNTING PORT			
Thread "A"	Dim. "B"	Dim. "C"	Dim. "D"
M5X0.8	5.6 mm	1.5 mm	0.2 mm
10-32 UNF	0.22"	0.06"	0.01"
M8x1	8.8 mm	1.9 mm	0.4 mm
5/16-24 UNF	0.35"	0.075"	0.015"
M10x1	10.4 mm	2.0 mm	0.4 mm
3/8"-24 UNF	0.41"	0.077"	0.015"
7/16"-20 UNF	0.45"	0.086"	0.015"

Tolerances on dimensions = ± 0.05 mm (0.002")



WIRING: shielded cable (4 x AWG26)



EPRB-2 Pressure Transducer

OPTIONS AND ACCESSORIES

OPTIONS	CODES	DESCRIPTIONS
Compensated Temperature Ranges	Z1	-20°C to 40°C
	Z35	+20°C to 120°C
Special Cable Length	L00F	Replace "00" with total length in feet
	L00M	Replace "00" with total length in meters
Integral connector	CM1	Connector DCS 11 T8-7 PNA930 (according to MIL.C38999)
Acceptance Test Report	ATR	A complete Acceptance Test Report provided with transducer

ORDERING INFORMATION

Model	-	Pressure Port	Supply Voltage	Output Signal	Pres. Ref.	-	Range/Unit	-	Options
EPRB-2	-	N = M5x0.8 V = 10-32 UNF S = M8x1 Q = 5/16-24 UNF P = M10x1 X = 3/8-24UNF Z = 7/16-20 UNF W = G 1/4A Y = 1/4-18 NPT	U = 8 to 32 VDC R = 5 VDC reg.	3 = 0.5 to 4.5 V 6 = 0 to 5 V 8 = 0.1 to 5 V	1 = Gauge 2 = Sealed 3 = Absolute	-	0.35B 5P 0.6B 10P 1B 15P 2B 30P 3.5B 50P 6B 100P 10B 150P 20B 300P 35B 500P 60B 1KP 100B 1.5KP 200B 3KP 350B 5KP	-	/Z1 /Z35 /L00M /CM1 /ATR

Examples: EPRB-2-XU62-500P-/Z1/L5M (cable output) or EPRB-2-PR33-35B-/CM1/ATR (connector output)

NORTH AMERICA

Measurement Specialties
45738 Northport Loop West
Fremont, CA 94538
Tel: 1-800-767-1888
Fax: 1-510-498-1578
Sales: pfg.cs.amer@meas-spec.com

EUROPE

Measurement Specialties
(Europe), Ltd.
26 Rue des Dames
78340 Les Clayes-sous-Bois, France
Tel: +33 (0) 130 79 33 00
Fax: +33 (0) 134 81 03 59
Sales: pfg.cs.emea@meas-spec.com

ASIA

Measurement Specialties
(China), Ltd.
F1.6-4D, Tian An Development
Compound
Shenzhen, China 518048
Tel: +86 755 8330 1004
Fax: +86 755 8330 6797
Sales: pfg.cs.asia@meas-spec.com

The information in this sheet has been carefully reviewed and is believed to be accurate; however, no responsibility is assumed for inaccuracies. Furthermore, this information does not convey to the purchaser of such devices any license under the patent rights to the manufacturer. Measurement Specialties, Inc. reserves the right to make changes without further notice to any product herein. Measurement Specialties, Inc. makes no warranty, representation or guarantee regarding the suitability of its product for any particular purpose, nor does Measurement Specialties, Inc. assume any liability arising out of the application or use of any product or circuit and specifically disclaims any and all liability, including without limitation consequential or incidental damages. Typical parameters can and do vary in different applications. All operating parameters must be validated for each customer application by customer's technical experts. Measurement Specialties, Inc. does not convey any license under its patent rights nor the rights of others.