

# Cable-Extension Position Transducer

## Precision Potentiometric Output

Ranges: 0-3, 0-9, 0-15, 0-30 inches

Test Applications • Wet Environments



# MT3A

### Specification Summary:

#### GENERAL

Full Stroke Ranges.....0-3, 0-9, 0-15, 0-30 inches, min., *see ordering information*  
 Output Signal ..... voltage divider (potentiometer)  
 Accuracy .....  $\pm 0.25\%$  full stroke  
 Repeatability .....  $\pm 0.02\%$  full stroke  
 Resolution ..... essentially infinite  
 Measuring Cable..... $\varnothing 0.019$ -in. nylon-coated stainless steel  
 Enclosure Material ..... anodized aluminum  
 Sensor Cover ..... polycarbonate  
 Sensor ..... conductive plastic-hybrid potentiometer

#### ELECTRICAL

Input Resistance ..... 10K ohms ( $\pm 5\%$ )  
 Power Rating, Watts..... 2.0 at 70° C (derated to 0 @ 125°C)  
 Recommended Maximum Input Voltage..... 30V (AC or DC)  
 Output Signal Change Over Measurement Range.. 94%  $\pm 4\%$  of input voltage

#### MECHANICAL

Measuring Cable Tension ..... 33 ( $\pm 10$ ) oz.  
 Maximum Measuring Cable Acceleration ..... 47 G's  
 Spring Cycle Life ..... 25,000 cycles

#### ENVIRONMENTAL

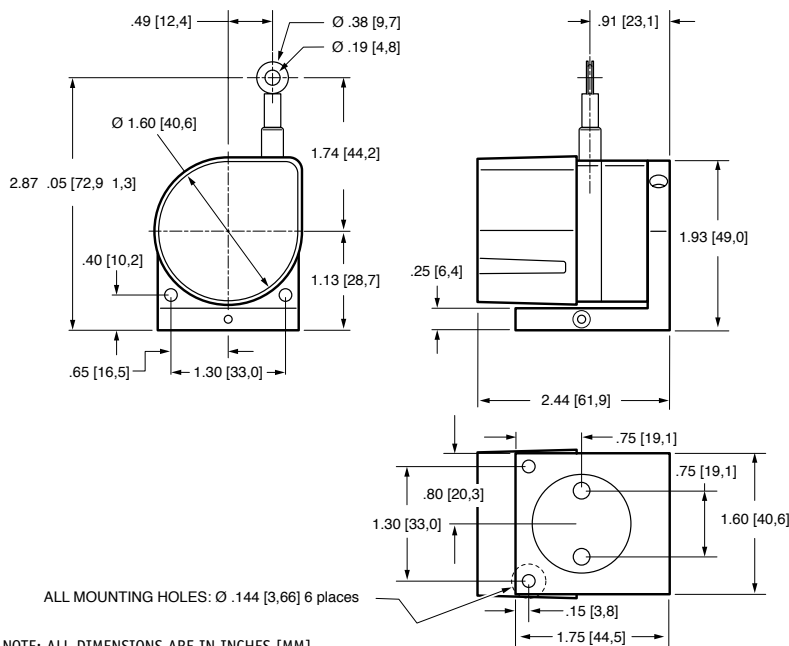
Enclosure ..... NEMA 4 / IP67  
 Operating Temperature ..... -40° to 125°C



The MT3A is the solution for high-acceleration test applications in potentially wet environments. Just like the MT2A, the MT3A comes in 4 different full-stroke ranges with a high-tension heavy-duty measuring cable designed for the demands encountered in flight testing and automotive crash tests.

The MT3A also has the same 2-axis 360° rotation mounting bracket and is available with either a 15-ft electrical cable or a blank cover that the customer can drill for their own specific connector or strain relief.

### Outline Drawing



### Output Signal

