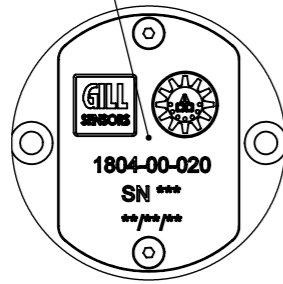
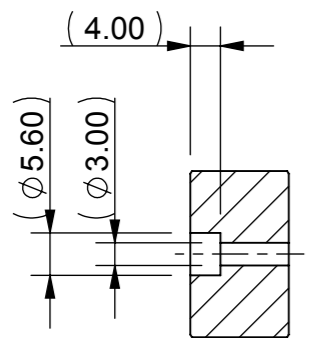
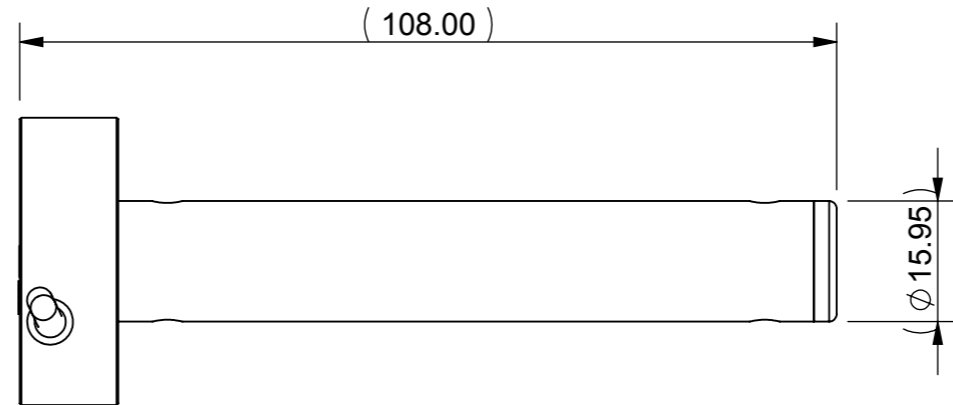


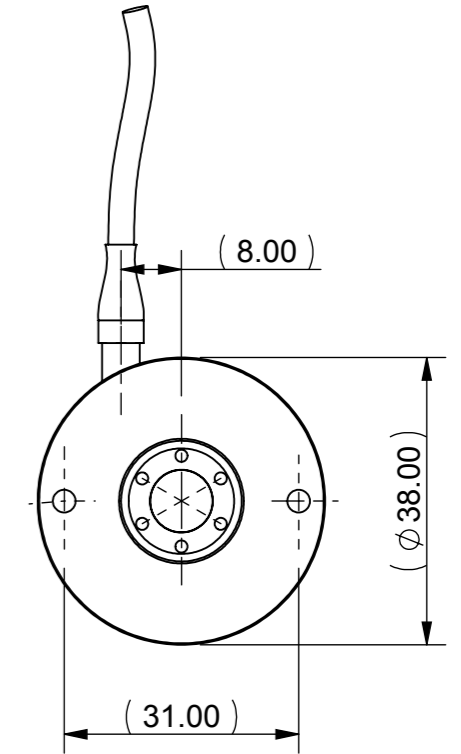
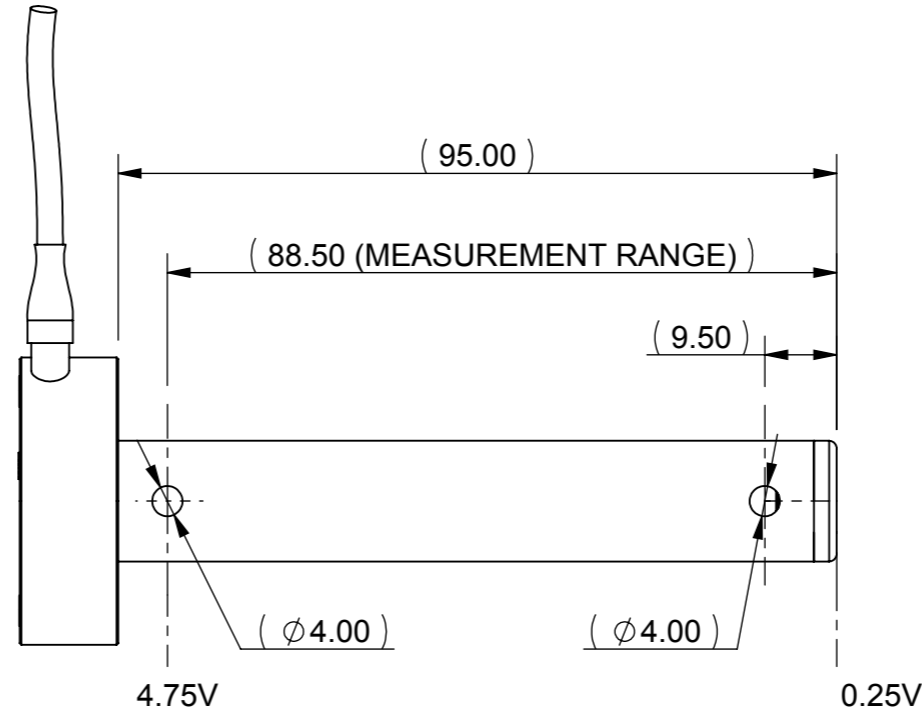
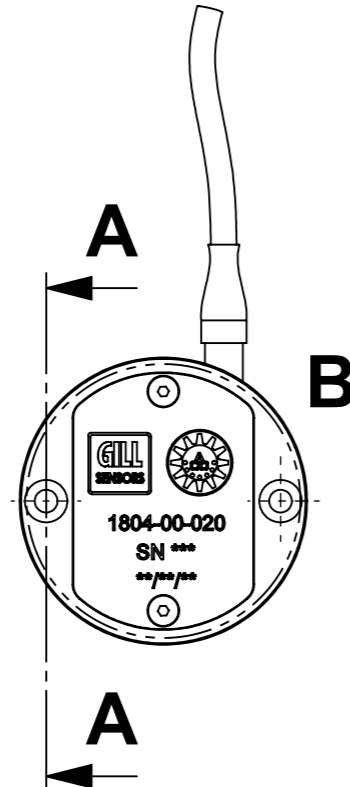
REFER TO PRODUCT MARKING DETAIL BELOW



DETAIL B



SECTION A-A



DESIGNATION	COLOUR
SUPPLY	RED
GROUND	BLACK
ANALOGUE SIGNAL	ORANGE
Tx (COMMS ONLY)	WHITE
Rx (COMMS ONLY)	GREEN

5 CORE CABLE TO BE RAYCHEM PTFE 26AWG SLEEVED WITH VITON HEATSHRINK
 OPERATING TEMPERATURE OF WIRE: -65°C to +200°C
 CABLE HARNESS TO BE UNTERMINATED 1.0m FROM CABLE EXIT.

GILL PRODUCT IDENTIFICATION:
 1804-00-020 - REFERS TO GILL PRODUCT PART NUMBER.
 S/N - REFERS TO PRODUCT SERIAL NUMBER.
 MM/YY/A - REFERS TO PRODUCT STATUS CODE.
 MM/XX/X - MM REFERS TO CALENDER MONTH OF MANUFACTURE.
 XX/YY/X - YY REFERS TO YEAR OF MANUFACTURE.
 XX/XX/A - A REFERS TO ISSUE STATUS OF PART.

REFER TO PRODUCT SPECIFICATION FOR FURTHER DETAILS.
 DOCUMENT NUMBER: 1804-005

SENSOR SUPPLIED WITH 2mm THICK RUBBER MOUNTING GASKET.

CONFIDENTIAL

<p>GILL RESEARCH & DEVELOPMENT LIMITED SALT MARSH PARK, 67 GOSPORT STREET LYMINGTON, HAMPSHIRE, SO41 9EG TEL: +44 (0) 1590 613400 E-MAIL: info@gillrd.com WEBSITE: www.gillrd.com</p> <p>© DESIGN COPYRIGHT RESERVED - THIS DOCUMENT INCLUDING THE COPYRIGHT THEREIN, IS THE EXCLUSIVE PROPERTY OF GILL RESEARCH AND DEVELOPMENT LIMITED, AND MAY NOT BE UTILISED FOR ANY PURPOSE OR DUPLICATED, COPIED, REPRODUCED OR TRANSMITTED TO ANY THIRD PARTY WITHOUT PERMISSION.</p>	ISSUE	C/NOTE No.	DESCRIPTION	DRAWN	APPROVED	DATE	<p>GENERAL TOLERANCES (UNLESS STATED)</p> <p>0 DEC PLACE ±0.25mm 1 DEC PLACE ±0.10mm 2 DEC PLACE ±0.05mm ANGLES ±0.5°</p> <p>ALL PREVIOUS REVISIONS ARE TO BE ARCHIVED OR DESTROYED OR MARKED AS SUPERCEDED. NOTE DRAWING IS COMPUTER GENERATED. DO NOT SCALE OR CHANGE MANUALLY. REMOVE ALL BURRS AND SHARP EDGES. ALL DIMENSIONS ARE IN MILLIMETRES. SURFACE FINISH TO BE 1.6µmRa UNLESS OTHERWISE STATED. THIRD ANGLE PROJECTION.</p>	MATERIAL	FINISH	<p>SCALE: 1:1 UNLESS STATED</p> <p>TITLE: ACO CATCH TANK OLS</p> <p>DRAWING No. 1804-00-020</p>	<p>SHEET 1 OF 1</p> <p>SHEET SIZE A3</p>
	1	X	OVERALL LENGTH REDUCED FROM 100MM	NJM	RJP	06/12/10		AL6082T6	ANODISE TO ISO 7559 25µm THICK - BLACK		
	2	X	RELEASE FOR SYSPRO / Q-PULSE	NJM	RJP	13/09/12					
	5	CR1294	BOUGHT IN LINE WITH BOM	JT	CD	25/11/15					
	6	77	MATERIALS UPDATED AND ANODISING NOTE CHANGED	RCC	BL	26/02/16					
								EXPORT CONTROL			