

# UPP-100NX3 / FS300

## 3D FORCE SENSOR



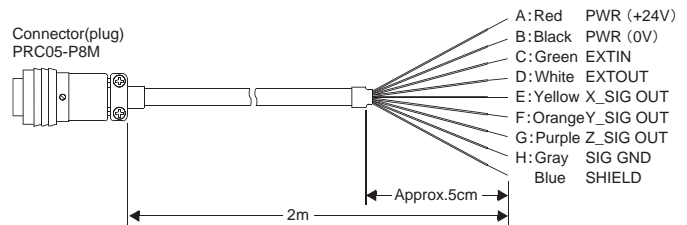
### Dedicated amplifier FS300

±5V output at the rated capacity for each direction: Fx, Fy, Fz (three axis).  
As output signals for each direction is adjusted before shipping out, you can get calibrated(scaled) output by just connecting sensor and DC24V power supply to FS300.

### 3D force sensor UPP-100NX3

Force in 3 dimensions(X, Y, Z) can be measured at the same time.  
Safe overload rating of 500%.  
The three-axis force sensor with the high sensitivity and rigidity.

### ● FS300 attached cable

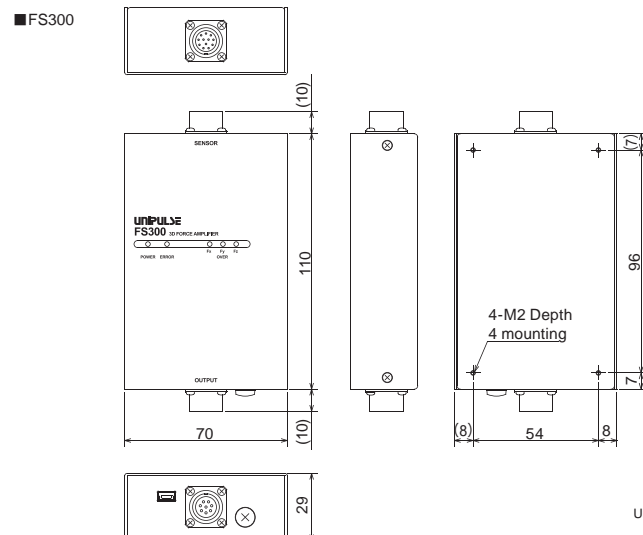
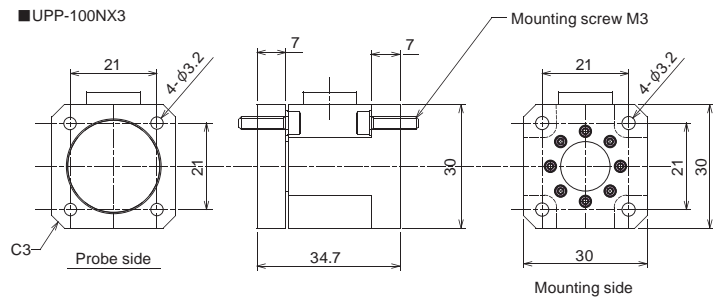


### Specifications

Model	Sensor : UPP-100NX3, Amplifier : FS300
Rated capacity	Fx, Fy : ±100N, Fz : 100N
Power supply voltage	DC24V±15%
Consumption current	150mA or less
Load signal output	Fx, Fy, Fz : ±5V
Load resistance	2k or more
Response	2kHz
I/O signal	Input: Auto zero command Output: Auto zero response
Safe overload	500%FS
Non-linearity	0.5%FS
Hysteresis	0.5%FS
Repeatability	0.5%FS
Compensated temperature range	0 to +40°C
Safe temperature range	-10 to +50°C
Temperature effect on zero	0.5%FS/°C
Temperature effect on span	0.05%FS/°C
Sensor material	Aluminum alloy
Weight	Sensor : Approx. 70g, Amplifier : Approx. 180g (Excluding the cable)
Cable	8 conductor flexible cable 1m (Connector is included for FS300 connection)

\* Above specifications are achieved when the sensor(UPP-100NX3) is connected with the dedicated amplifier(FS300).  
\* Accuracy is not guaranteed in the range of Fz 0 to -5V.

### External dimension



Unit : mm