

# GS level-1615

## S2 Liquid Level Display

# GILL

### Key Features

- Fully Configurable
- High Accuracy
- Low Level Warning
- Low Height and Recess Profile
- Simple Installation
- Lightweight
- Light Sensitive
- Auto-Dimming



The S2 liquid level display has been designed to allow a linear display of the liquid volume within irregular shaped tanks, as displaying the physical level of liquid within an irregularly shaped tank using traditional methods will not provide a reading that is representative of the true tank volume remaining.

Each display is supplied with our 'Tank Profiler' software (right), which allows the user to program the display according to incremental known volume fills in the tank. With the display mapped to the tank shape, the true volume usage shown across the 29 LEDs and numerical display will be a true reading of volume remaining.



**Tank Profiler software**

As with the S1 Liquid Level Display, the S2 features light-sensitive auto-dimming and a configurable visual low level alarm. The display is compact and lightweight, allowing for simple installation on instrument panels or dashboards.

The S2 display is available as a fuel level display (anodised blue with etched fuel icon) or oil level display (anodised red with etched oil icon). Other custom colour and icon configurations are available on request.

**RoHS**  
Compliant

### ELECTRICAL

Supply Voltage	Nom 12VDC $\pm$ 2.8V
Supply Current	<140mA @12V
Serial Interface	RS232 (+5V)
Resolution	10 bit

### ANALOGUE INPUT

Voltage Input Range	Configurable 0V - 5V
---------------------	----------------------

### CONNECTION

Integral Connector	Microfit III
--------------------	--------------

### MECHANICAL

Dimensions	115mm x 50mm x 14mm (W x H x D)
Mounting	Two M4 threaded holes on a 106mm centre

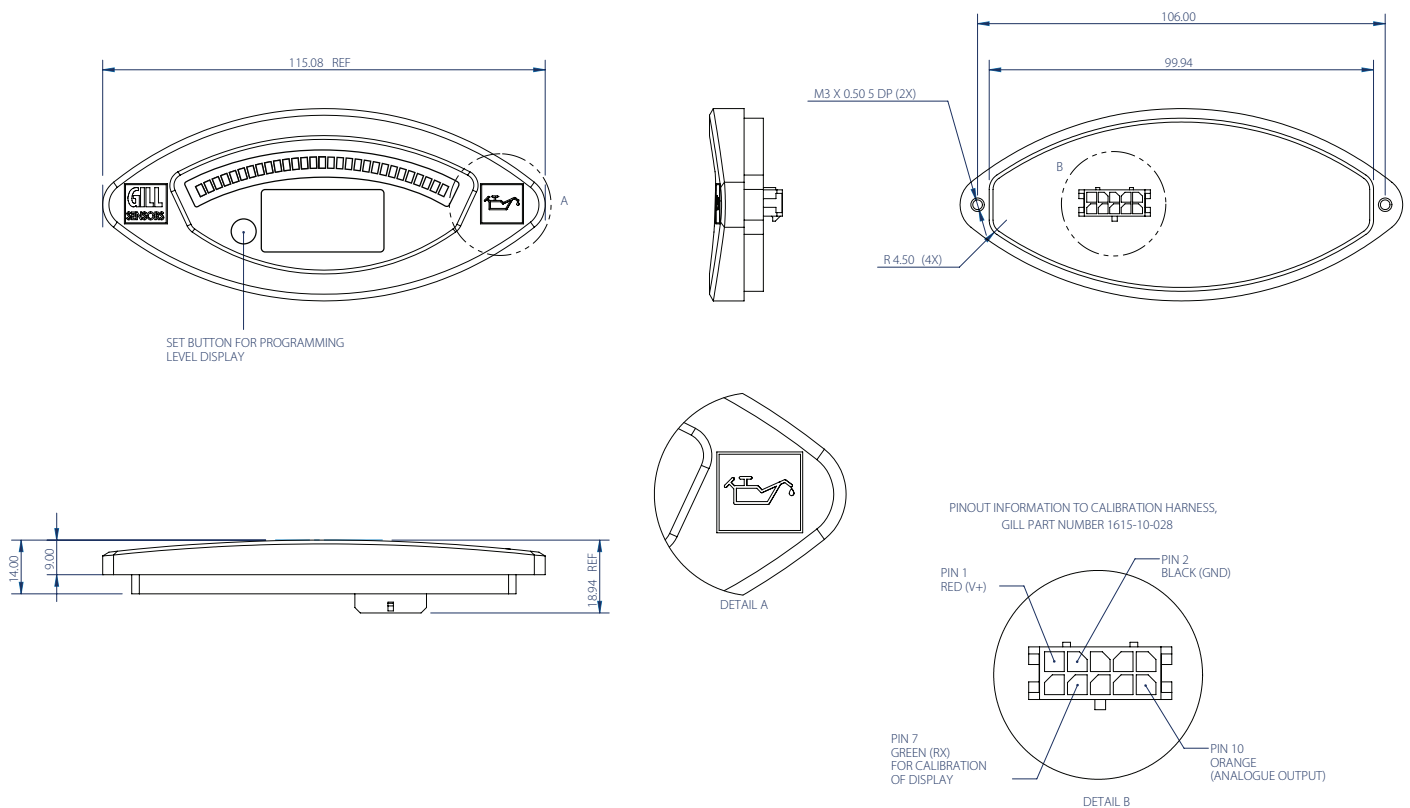
### ENVIRONMENTAL

Protection Class	IP65
Operational Temperature	-10°C to +40°C
EMC Immunity Level	SAE J1113/2 1996 design guideline
Vibration	15g RMS (24-2000Hz) & SAE J1455 design guidelines used
Finish	Anodised to DEF STAN 025

Gill Level Displays are available as Oil, Fuel or Bio-fuel variants as standard. Gill Sensors can produce a level display for almost any specialist liquid so please contact us for more information.



The slimline design allows the bezel to protrude just 9mm from the dash. Dimensions are illustrated below:



Specifications subject to change without notice.

# GILL

## Gill Sensors & Controls Limited

Unit 600 Ampress Park  
Lymington, Hampshire.  
SO41 8LW

Tel: +44 (0) 1590 613 900  
Fax: +44 (0) 1590 613 901  
info@gillsc.com



**gillsc.com**

DD1615-S2- Iss 2

Copyright © Gill Sensors & Controls 2015